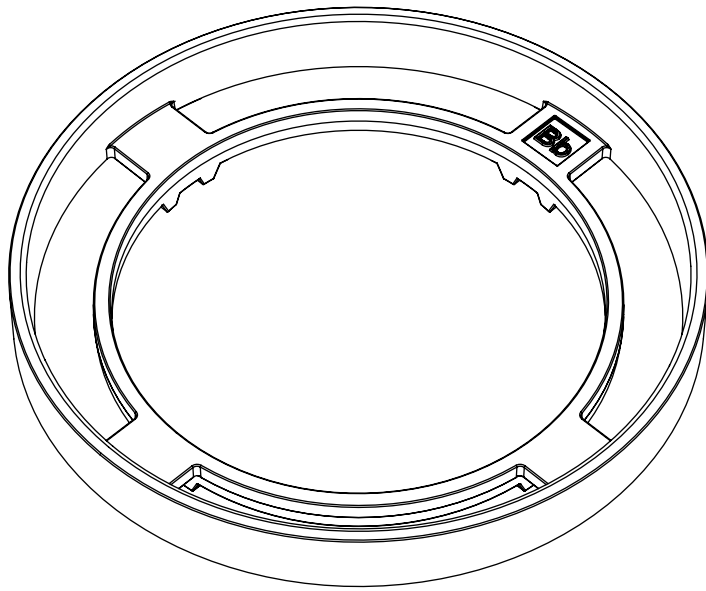


# WOK SUPPORT RING

RCB250WSRCIBK

# Bb

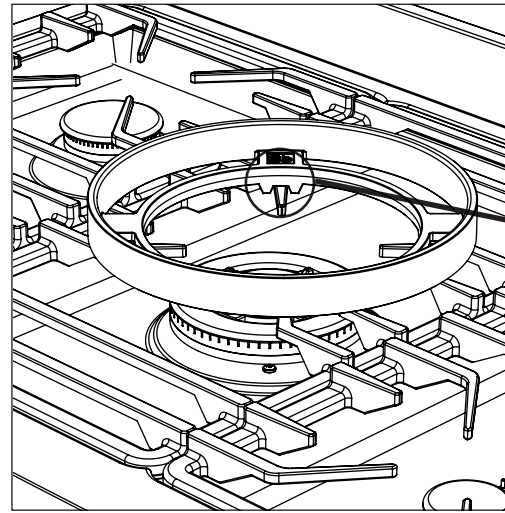


The Bigblue Wok Support Ring has been designed to be a universal accessory and to fit a wide selection of gas hotplates. Much consideration has been given to arriving at the most appropriate size, which will both fit a broad variety of cookers and support a typical wok securely, whilst positioning it at the optimum height for wok cooking.

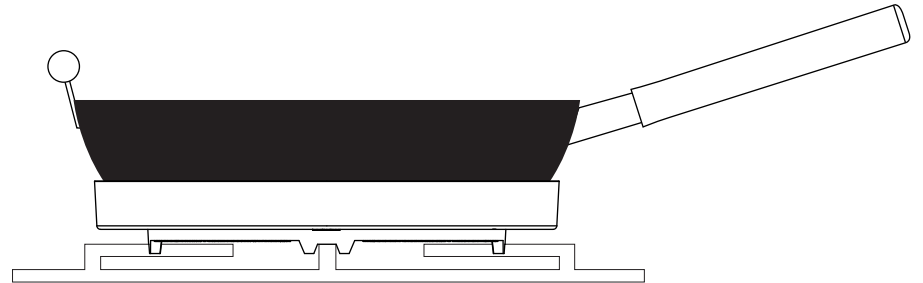
Wok cooking provides a large, high temperature surface area and requires minimal oil. It is best to use vegetable oil, which will not burn at the high cooking temperatures reached. Butter and sunflower oil are not appropriate as they do burn easily.

Stir-frying is popular but other cooking methods can also be used, such as braising, roasting, steaming and simmering. Woks are great for preparing curries and soups, and you will benefit from the extra support your wok stand will provide.

The Bigblue Wok Support Ring is cast in our iron foundry in Yorkshire and coated in vitreous enamel to achieve a beautiful and protective finish.



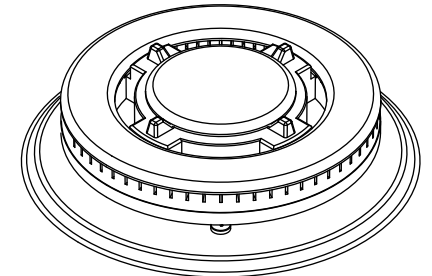
The four locating points on the Bigblue Wok Support Ring need to sit over the four concentric inward-facing fingers of your pan support.



The Bigblue Wok Support Ring is designed to work best with a 350mm diameter wok, which should sit as shown above.

## WOK BURNERS

A typical wok burner has both an inner and outer ring to give a greater flame spread and heat a broader surface area of your wok.



**WARNING :** This product will become extremely hot and will remain hot for some time after use. Take great care while cooking. Turn off heat source at the end of the cooking process and do not attempt to move until the item is cool.

Wok ring is not dishwasher safe. Wash by hand.

